

# Modular Work Centres

## Scale Table (D-9003)

CALSTONE INC - 020107

### Component Parts:

- 1 - Table Top
- 2 - Table Legs
- 2 - Side Aprons
- 14 - #10 x 5/8 Combination Screws
- 1 - Wrench

*(Inspected by)*

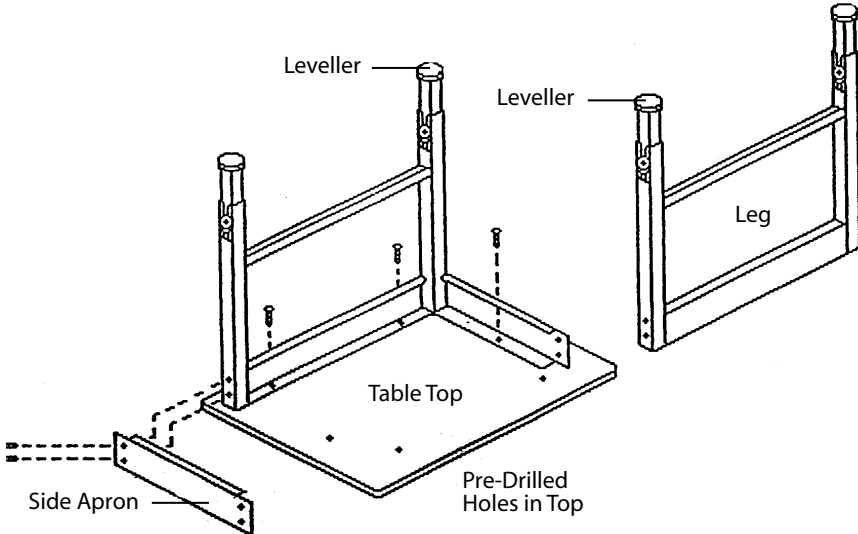
NOTE: If hardware is missing, any #10 x 5/8 self-tapping screw can be used.

### Scale Table Assembly:

1. Place table top upside down.
2. Line up table legs with the holes in the table top and fasten loosely with #10 x 5/8 combination screws.
3. Repeat for other table leg.
4. Install side apron to leg tubes and table top with #10 x 5/8 combination screws.
5. Tighten all the screws.

### Table Height Adjustment:

1. Adjustable leg channel on each leg member telescopes out and is notched every inch to make adjustment easy.
2. To adjust, loosen bolt on leg member and raise adjustable leg to the desired height; secure bolt.
3. Turn table upright to operating position.



\*Do not discard packaging material until all contents are located\*