

Modular Work Centers

Floor Mount Uprights (D-9200 & D-9202)

CALSTONE INC - 020107

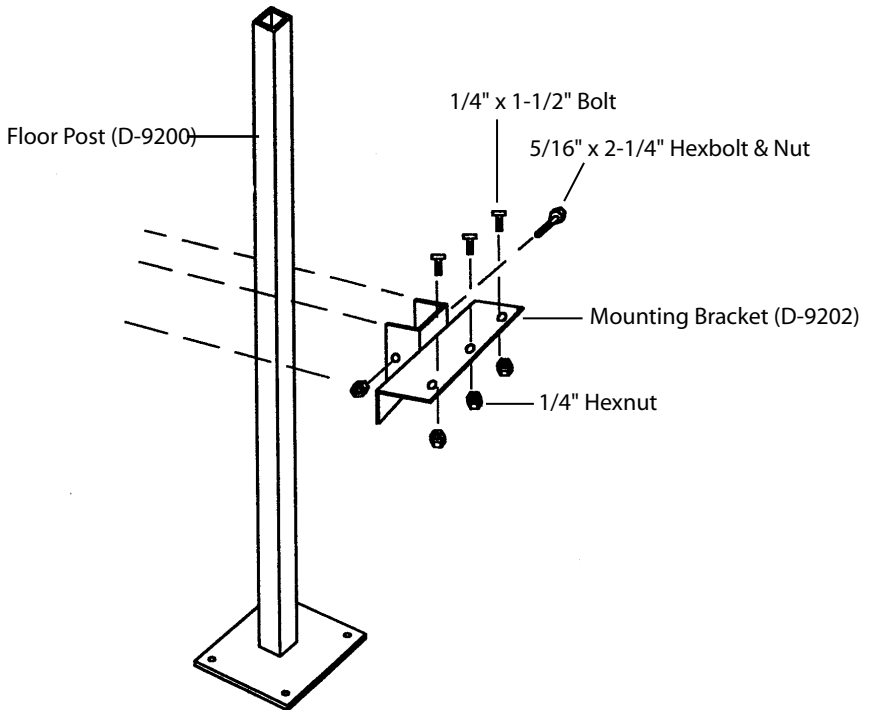
Component Parts:

- 6 - 1/4" x 1-1/2" Bolts and Nuts
- 6 - 5/16" x 2-1/4" Hexbolt & Nuts
- 2 - D-9200 Floor Post
- 2 - D-9202 Mounting Brackets

Floor Mount Upright Assembly:

1. Fasten post to floor with suitable 3/8" screws and floor anchors.
2. Assemble mounting bracket to post
3. Fasten mounting bracket to table by drilling through table top and using 1/4" x 1 1/2" bolts and nuts to secure bracket to top.

(Inspected by)



Do not discard packaging material until all contents are located

300 S. Lageschulte St.
Barrington, IL 60010
Phone: 847.382.1579 Fax: 847.382.1615
E-mail: info@dehnco.com