

Modular Work Centers

Straight Upright Assembly (D-9098)

CALSTONE INC - 020107

Component Parts:

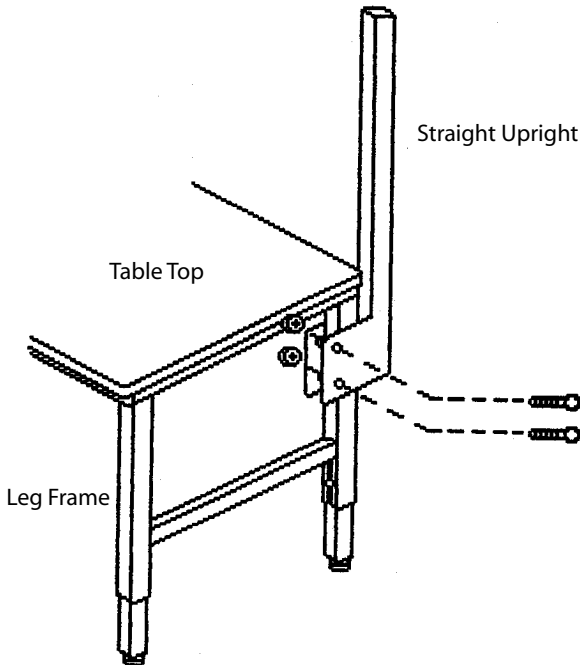
- 2 - Straight Uprights
- 4 - 5/16-18 x 2-1/4 Hex Head Cap Screw
- 4 - 5/16-18 Hex Nut
- 4 - 5/16 Lock Washer

Straight Upright Assembly:

1. Place welded bracket on leg frame, as shown.
2. Secure welded bracket with 2 screws and nuts.
3. Attach second upright same way.

(Inspected by)

NOTE: If hardware is missing, any 5/16-18 x 2-1/4" or 2-1/2" long bolt, hex nut, and lock washer can be used.



Do not discard packaging material until all contents are located