

Modular Work Centers

Multiple Roll Storage Stand

CALSTONE INC - 020107

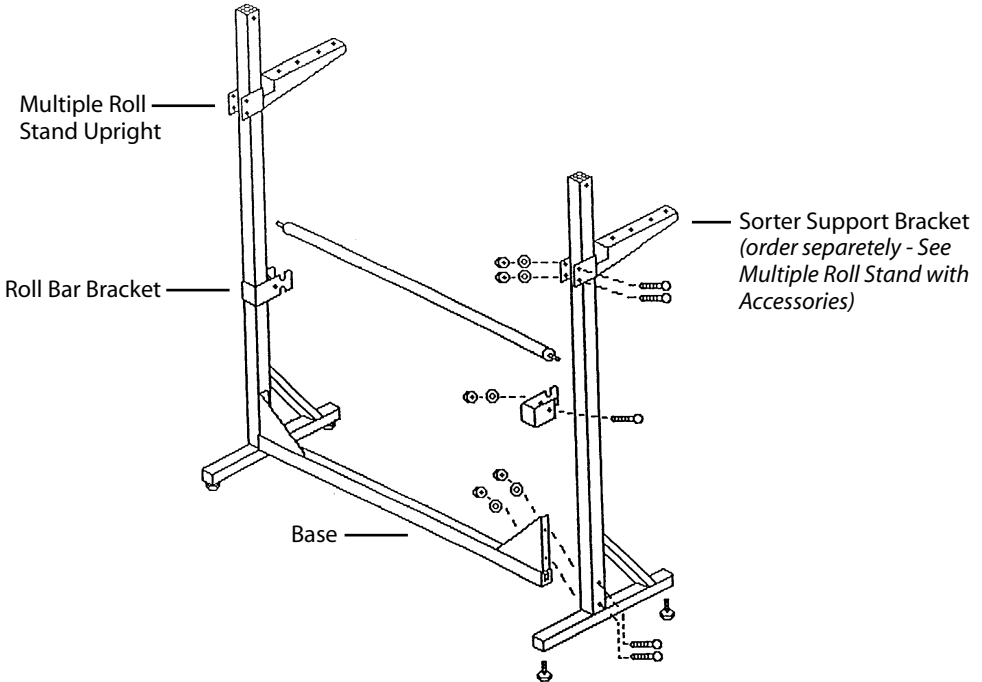
Component Parts:

- 2 - MRS Side Frames
- 1 - MRS Base
- 4 - Adjustable Glides
- 4 - 5/16-18 x 2-1/4 Hex Head Cap Screws
- 4 - 5/16-18 Hex Nuts

Multiple Roll Stand Assembly:

1. Fasten base to side frame with 5/16-18 x 2-1/4 Hex Head Cap Screws.

(Inspected by)



Do not discard packaging material until all contents are located