

DUAL TEMPERATURE TESTING MODULE

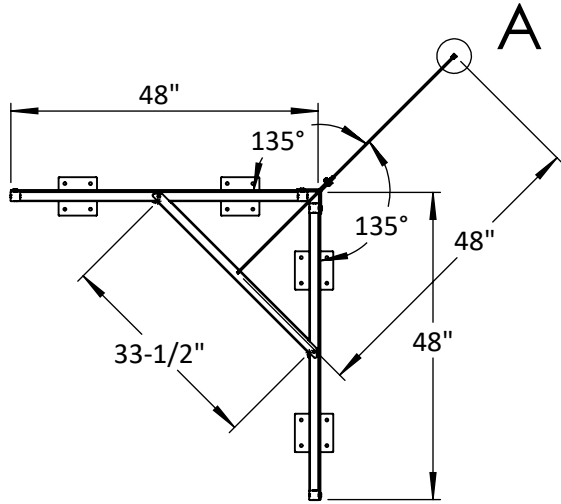
PRODUCT CODE:

AM-SODIBA-Y-48-96H (FRAME ONLY)

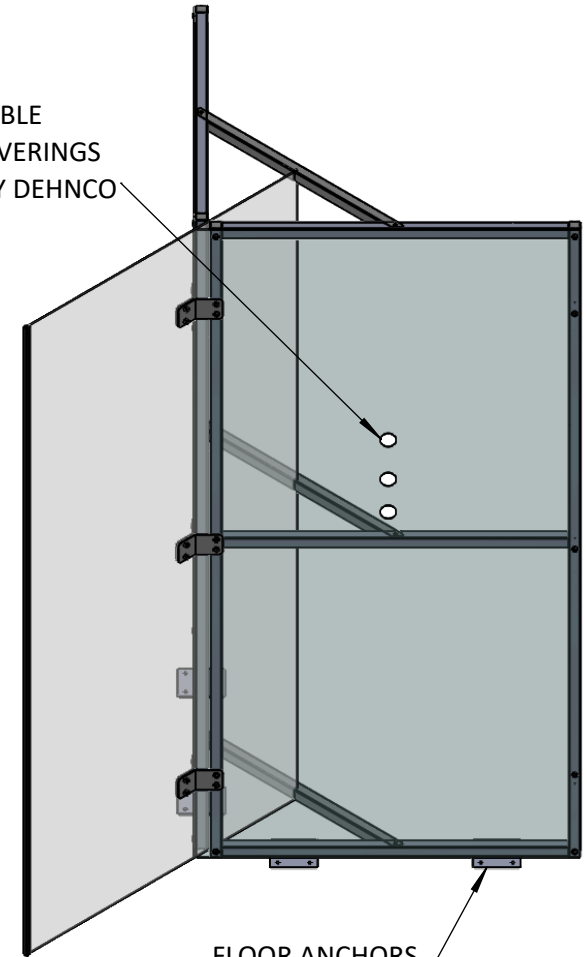
AM-SDB-Y-PLX-48-96H (PLEXI GLASS ONLY, 3 PIECES)

AM-SDB-EDGTRIM-96H (RUBBER EDGE TRIM, 1 PC, 96H)

QUOTE#200330-64-R2



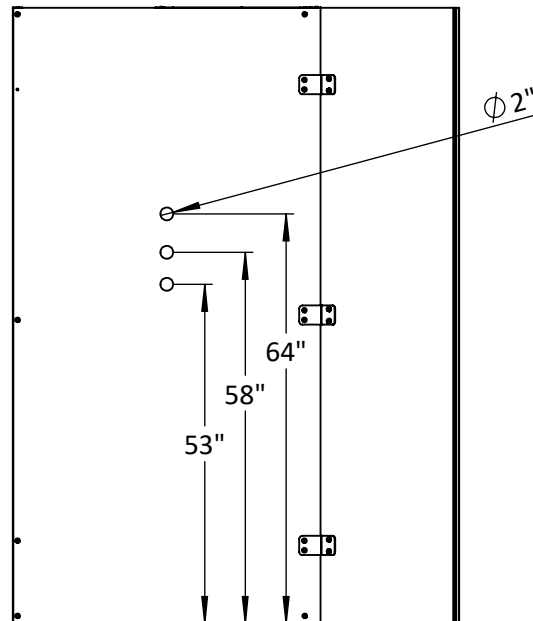
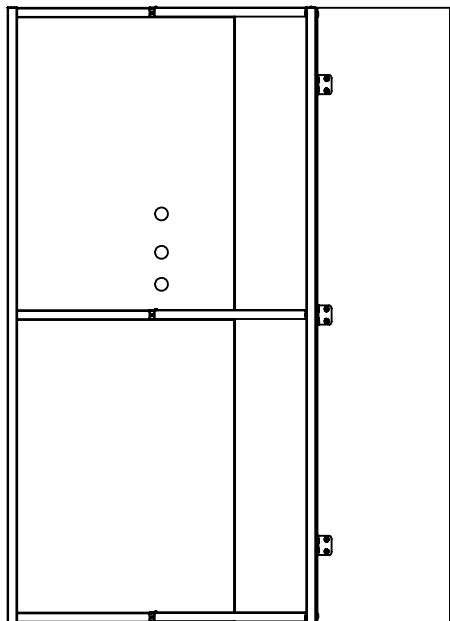
6in x 6in REMOVABLE
ACRYLIC HOLE COVERINGS
NOT PROVIDED BY DEHNCO



FLOOR ANCHORS
NOT INCLUDED

FULL LENGTH,
BLACK, RUBBER
EDGE TRIM

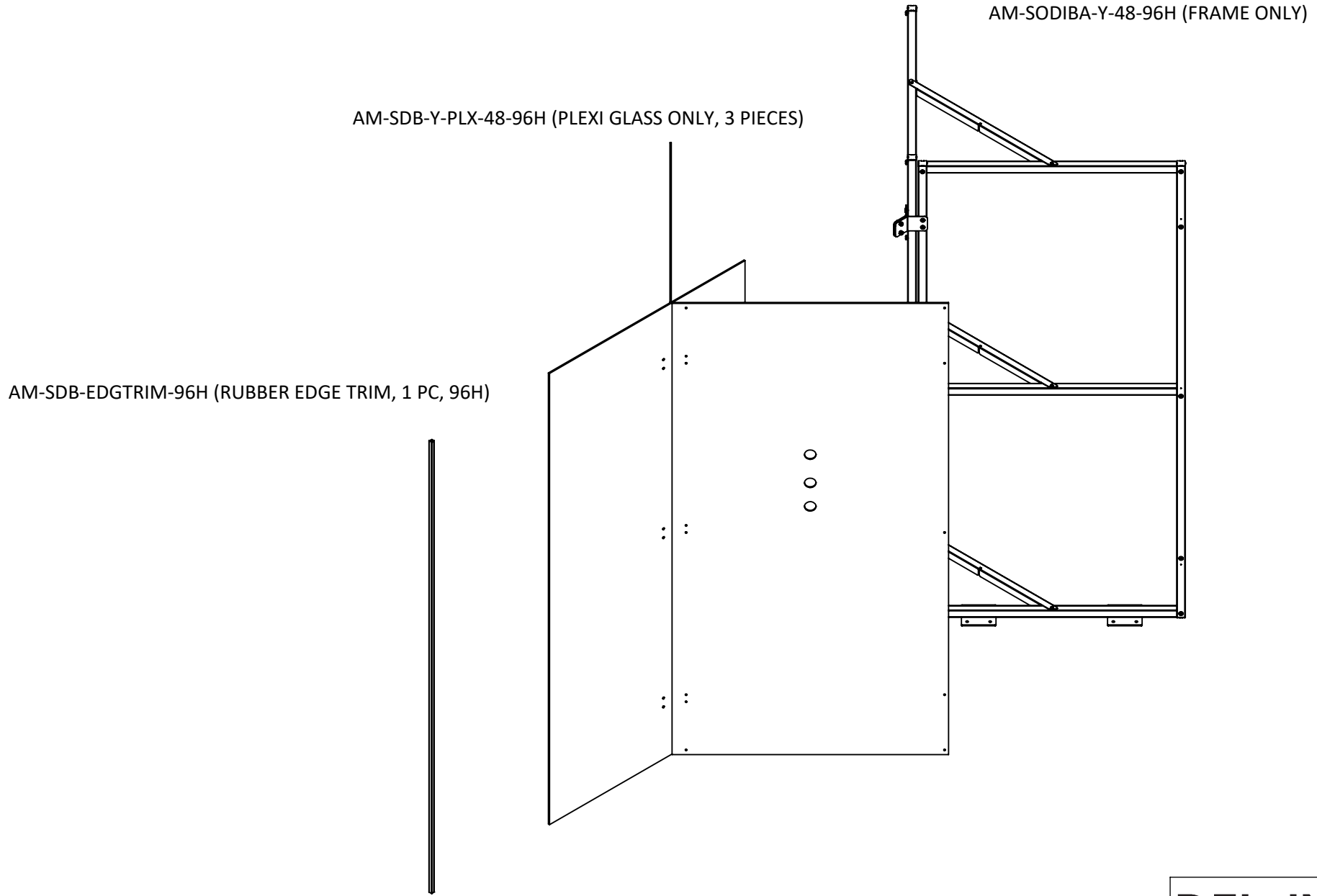
DETAIL A
SCALE 1 : 4



DEHNCO
WORK BETTER
EQUIPMENT & SUPPLIES, INC
300 S. Lageshulte, P.O. BOX 866, Barrington, IL 60010
Phone: (847)382-1579, Fax: (847) 382-1615, WWW.dehnco.com

THIS DOCUMENT AND THE INFORMATION THEREON ARE THE PROPERTY OF CALSTONE, INC. AND MAY ONLY BE USED FOR THE PURPOSE OF WHICH IT IS SUPPLIED. REPRODUCTION OF THE DRAWING OR USE OF THE INFORMATION HEREIN IN WHOLE OR IN PART IS STRICTLY PROHIBITED WITHOUT THE EXPRESS WRITTEN PERMISSION OF DEHNCO/CALSTONE.

DUAL TEMPERATURE TESTING MODULE
QUOTE#200330-64-R2



THIS DOCUMENT AND THE INFORMATION THEREON ARE THE PROPERTY OF CALSTONE, INC. AND MAY ONLY BE USED FOR THE PURPOSE OF WHICH IT IS SUPPLIED. REPRODUCTION OF THE DRAWING OR USE OF THE INFORMATION HEREIN IN WHOLE OR IN PART IS STRICTLY PROHIBITED WITHOUT THE EXPRESS WRITTEN PERMISSION OF DEHNCO/CALSTONE.

DEHNCO
WORK BETTER

EQUIPMENT & SUPPLIES, INC
 300 S. Lageshulte, P.O. BOX 866, Barrington, IL 60010
 Phone: (847)382-1579, Fax: (847) 382-1615, WWW.dehnco.com