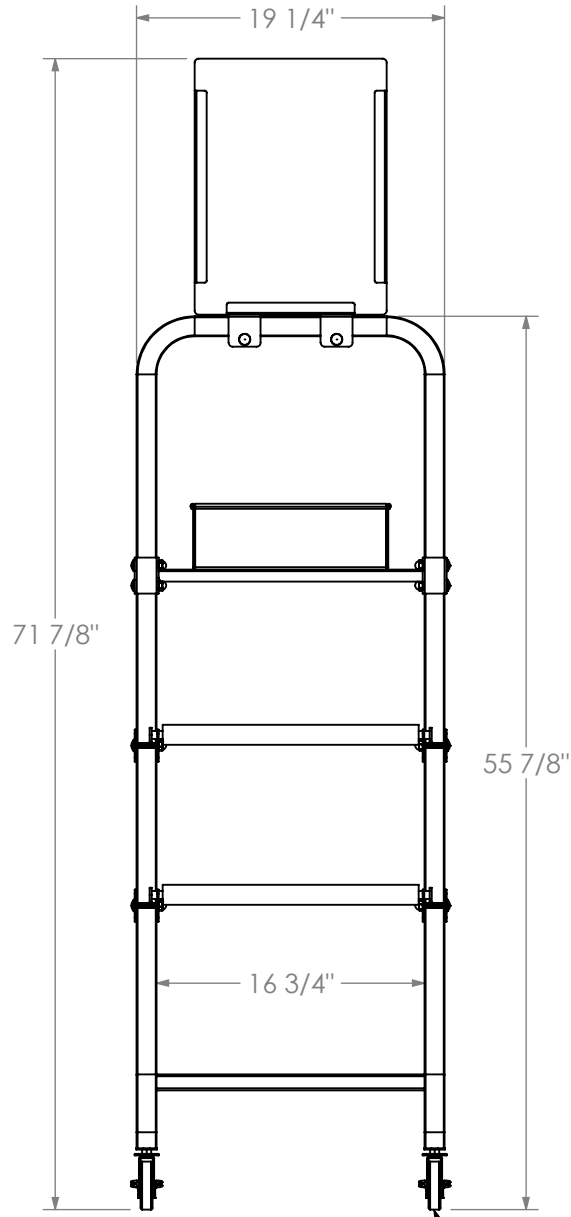
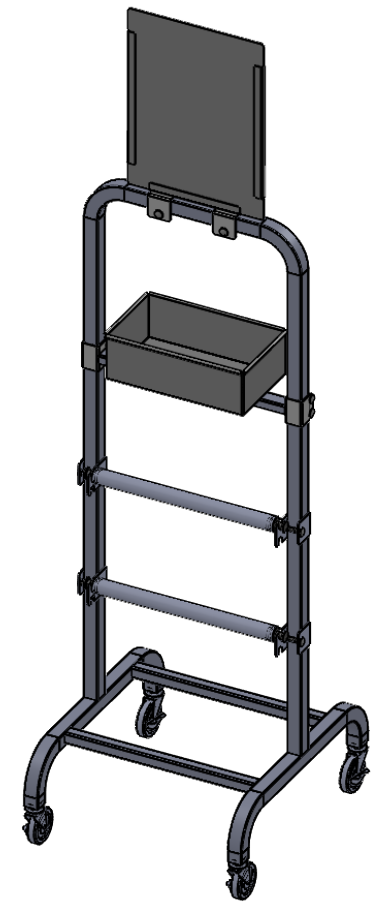
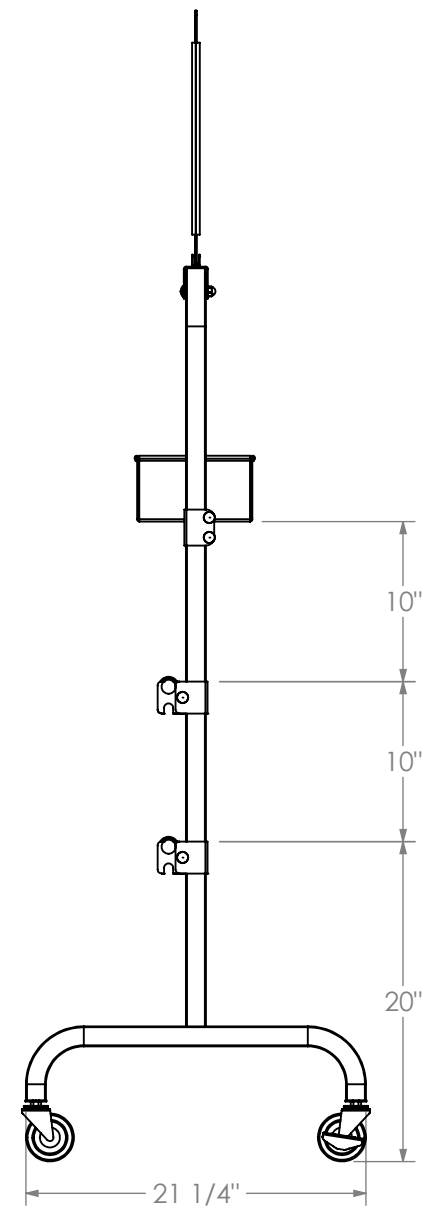


DEHNCO - SANITIZATION CART
 PRODUCT CODE: **SNTZ-CART-1921-72H**
 QUOTE # 200406-10



3" SWIVEL CASTER WITH LOCK (4x)

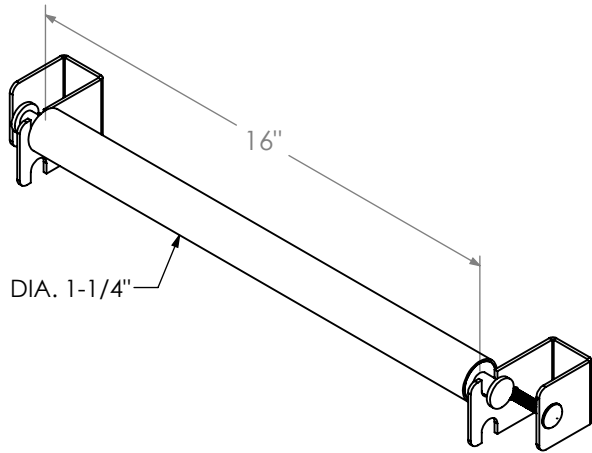


THIS DOCUMENT AND THE INFORMATION THEREON ARE THE PROPERTY OF CALSTONE, INC. AND MAY ONLY BE USED FOR THE PURPOSE OF WHICH IT IS SUPPLIED. REPRODUCTION OF THE DRAWING OR USE OF THE INFORMATION HEREIN IN WHOLE OR IN PART IS STRICTLY PROHIBITED WITHOUT THE EXPRESS WRITTEN PERMISSION OF DEHNCO/CALSTONE.

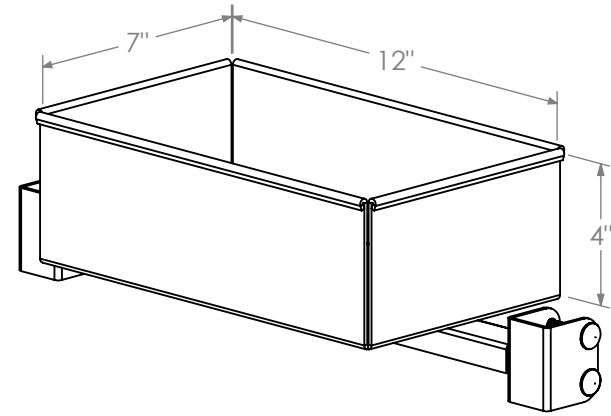
DEHNCO
WORK BETTER

EQUIPMENT & SUPPLIES, INC
 300 S. Lageshulte, P.O. BOX 866, Barrington, IL 60010
 Phone: (847)382-1579, Fax: (847) 382-1615, WWW.dehnco.com

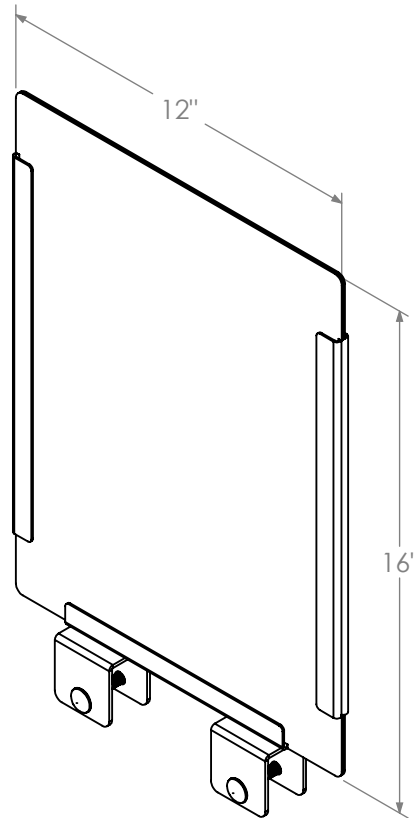
THIS DOCUMENT AND THE INFORMATION THEREON ARE THE PROPERTY OF CALSTONE, INC. AND MAY ONLY BE USED FOR THE PURPOSE OF WHICH IT IS SUPPLIED. REPRODUCTION OF THE DRAWING OR USE OF THE INFORMATION HEREIN IN WHOLE OR IN PART IS STRICTLY PROHIBITED WITHOUT THE EXPRESS WRITTEN PERMISSION OF DEHNCO/CALSTONE.



ROLL PAPER TOWEL HOLDER



SLIDING SANITIZER HOLDER



LABEL HOLDER (BOTH SIDES)

DEHNCO
WORK BETTER

EQUIPMENT & SUPPLIES, INC
300 S. Lageshulte, P.O. BOX 866, Barrington, IL 60010
Phone: (847)382-1579, Fax: (847) 382-1615, WWW.dehnco.com